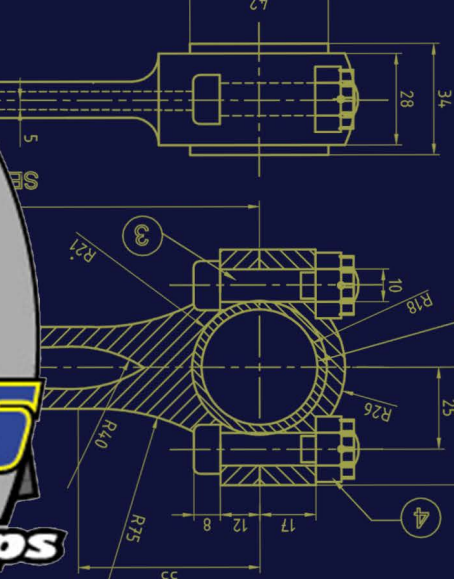
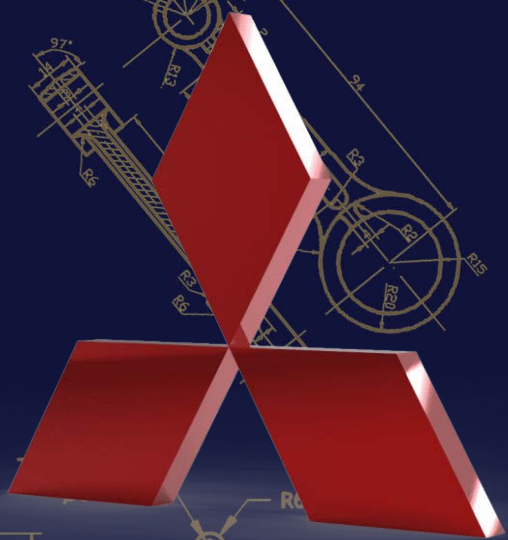


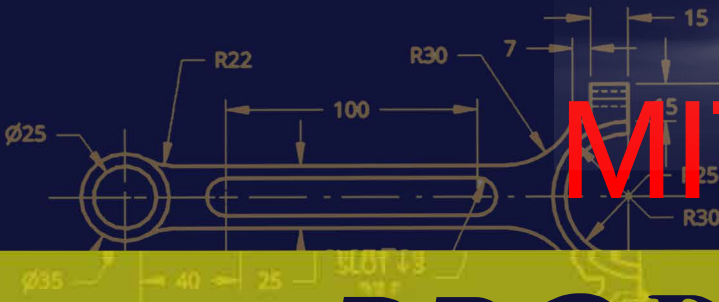
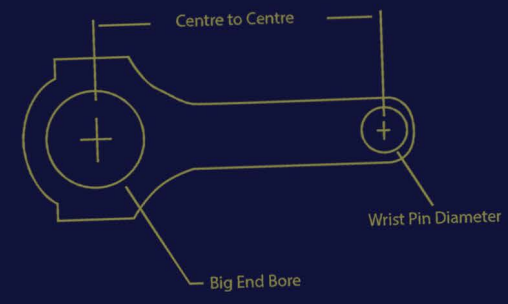
# R&R

## RACING PRODUCTS

### Aluminum Connecting Rods - Oil Pumps



CONNECTING ROD



# PRODUCTS LIST

# mitsubishi



**NOTES:**

Part #	Description	Center to Center (IN)	Center to Center (MM)	Style	Bolt Size	Bolt Type	Pin Width (IN)	Pin Width (MM)	Big Width (IN)	Big Width (MM)	Big Bore (IN)	Big Bore (MM)	Total/Rotate/Recip / Weight (gr)	Pin Size	Cyl
Z4G5892LNPNSOLID	4G63 7 BOLT	5.892	149.66	SOLID	3/8"	R&R2000 / L19	0.950	24.13	1.033	26.24	1.890	48.01	554 / 393 / 161	22mm	4
Z4G6132LNPNSOLID	4G63 7 BOLT	6.132	155.75	SOLID	3/8"	R&R2000 / L19	0.950	24.13	1.033	26.24	1.890	48.01	563 / 396 / 167	22mm	4
Z4G6368LNPNSOLID	4G63 7 BOLT	6.368	161.75	SOLID	3/8"	R&R2000 / L19	0.950	24.13	1.033	26.24	1.890	48.01	576 / 401 / 175	22mm	4
Z4G5892LANPNB	4G63 7 BOLT	5.892	149.66	I BEAM	3/8"	R&R2000 / L19	0.950	24.13	1.033	26.24	1.890	48.01	479 / 356 / 123	22mm	4
Z4G6132LANPNB	4G63 7 BOLT	6.132	155.75	I BEAM	3/8"	R&R2000 / L19	0.950	24.13	1.033	26.24	1.890	48.01	488 / 360 / 128	22mm	4
Z4G6368LANPNB	4G63 7 BOLT	6.368	161.75	I BEAM	3/8"	R&R2000 / L19	0.950	24.13	1.033	26.24	1.890	48.01	498 / 363 / 135	22mm	4
Z4G63ESOLIDNP	4G63 6 BOLT	5.892	149.66	SOLID	3/8"	R&R2000 / L19	0.950	24.13	1.100	27.94	1.890	48.01	554 / 394 / 160	22mm	4
Z4G6132ESOLIDNP	4G63 6 BOLT	6.132	155.75	SOLID	3/8"	R&R2000 / L19	0.950	24.13	1.100	27.94	1.890	48.01	563 / 397 / 166	22mm	4
Z4G63EANP	4G63 6 BOLT	5.895	149.73	I BEAM	3/8"	R&R2000 / L19	0.950	24.13	1.100	27.94	1.890	48.01	484 / 352 / 132	22mm	4
Z4G6132EANP	4G63 6 BOLT	6.132	155.75	I BEAM	3/8"	R&R2000 / L19	0.950	24.13	1.100	27.94	1.890	48.01	484 / 360 / 124	22mm	4
MITSU4B11STOCK	4B11	5.650	143.51	I BEAM	3/8"	R&R2000 / L19	0.855	21.72	0.855	21.72	2.165	54.99	388 / 289 / 99	23mm	4
MITSU4B11STOCKSOLID	4B11	5.650	143.51	SOLID	3/8"	R&R2000 / L19	0.855	21.72	0.855	21.72	2.165	54.99	443 / 313 / 130	23mm	4
MITSU6G72T	6G72T	5.538	140.67	SOLID	3/8"	R&R2000 / L19	1.040	26.42	0.815	20.70	2.087	53.01	442 / 305 / 137	22mm	4
MITSU4G93	4G93	5.245	133.22	SOLID	3/8"	R&R2000 / L19	0.856	21.74	0.856	21.74	1.890	48.01	439 / 321 / 118	19mm	4
MITSU4A92	4A92	5.226	132.74	I BEAM	5/16"	CA 625	0.700	17.78	0.700	17.78	1.693	43.00	276 / 191 / 85	18mm	4
MITSU6G74	6G74	6.024	153.01	SOLID	3/8"	R&R2000 / L19	0.817	20.75	0.817	20.75	2.284	58.01	497 / 344 / 153	22mm	6
MITSUPAJRIO	PAJRIO	6.433	163.40	I BEAM	3/8"	R&R2000 / L19	1.065	27.05	1.285	32.64	2.146	54.51		23mm	6

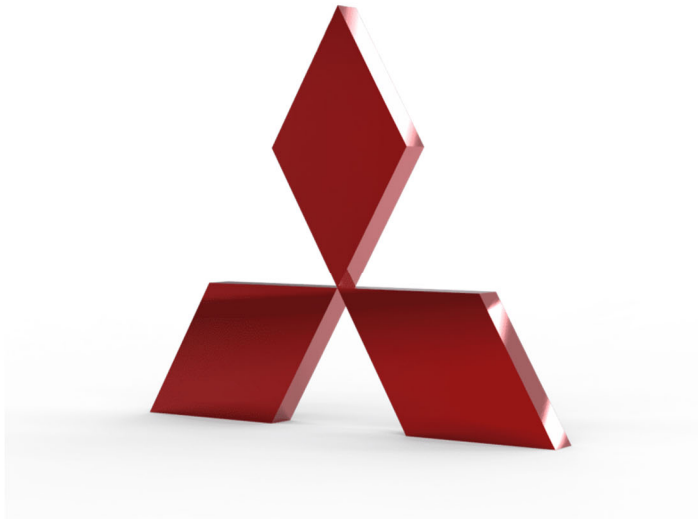


# mitsubishi

Engine: 4G63

Rod type: Solid

Horse Power : 2000





6601 TAYLOR ROAD UNIT A  
PUNTA GORDA, FL. 33950

1-941-621-8143

EMAIL: [Info@rrconnectingrods.com](mailto:Info@rrconnectingrods.com)

WEBSITE: [www.rrconnectingrods.com](http://www.rrconnectingrods.com)